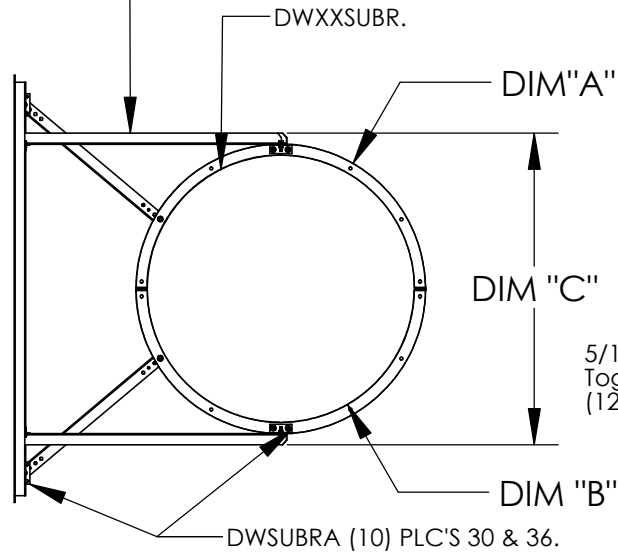


DUCT INFORMATION TABLE

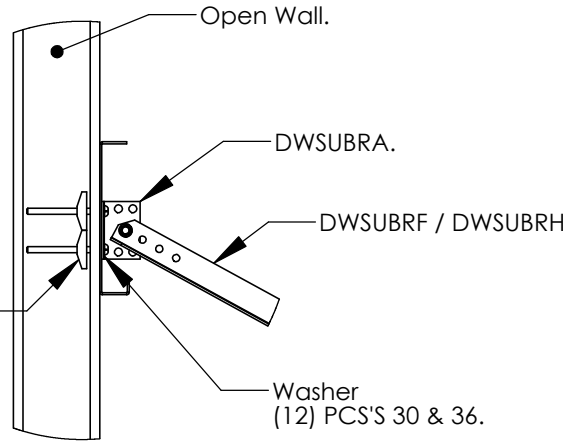
Duct Diameter	DIM "A" DIA	DIM "B" DIA	DIM "C"	Part Number	Part Number
26"	28.196	26.198	31.701	DW26VESU	DW26VESU18
28"	30.196	28.198	33.701	DW28VESU	DW28VESU18
30"	32.196	30.198	35.701	DW30VESU	DW30VESU18
32"	35.196	32.198	38.701	DW32VESU	DW32VESU18
34"	37.196	34.198	40.701	DW34VESU	DW34VESU18
36"	39.196	36.198	42.701	DW36VESU	DW36VESU18

DWSUBRF (4) PLC'S - LESS THAN 18" CLEARANCE - 30 & 36.  
 DWSUBRH (4) PLC'S - 18" CLEARANCE - 30 & 36.

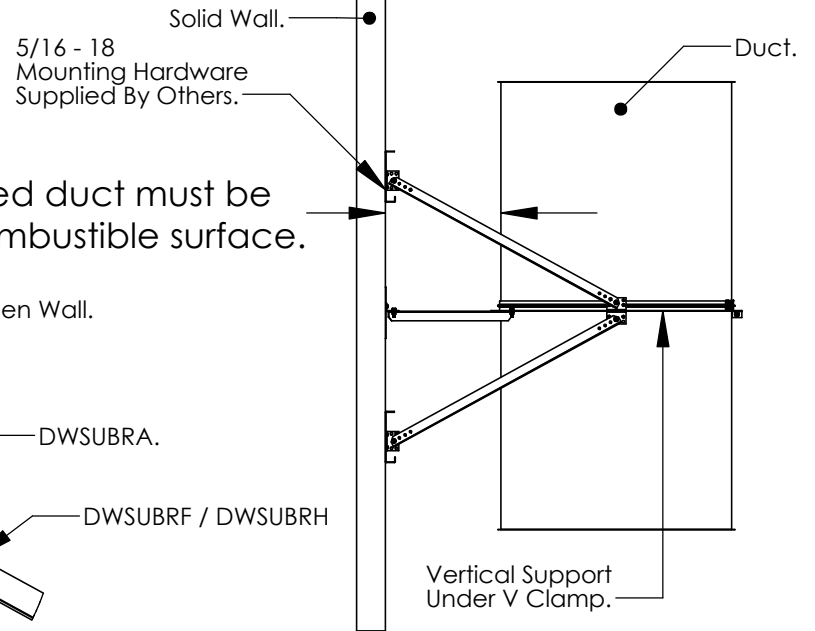


DETAIL A  
 SCALE 1 : 10

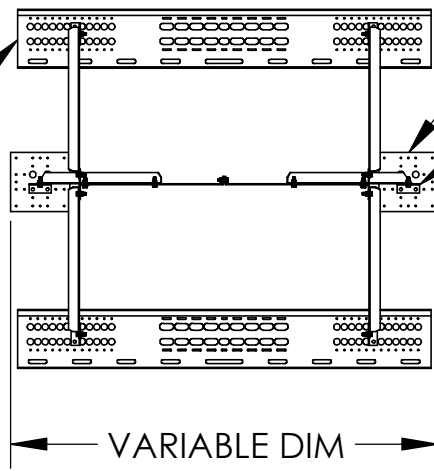
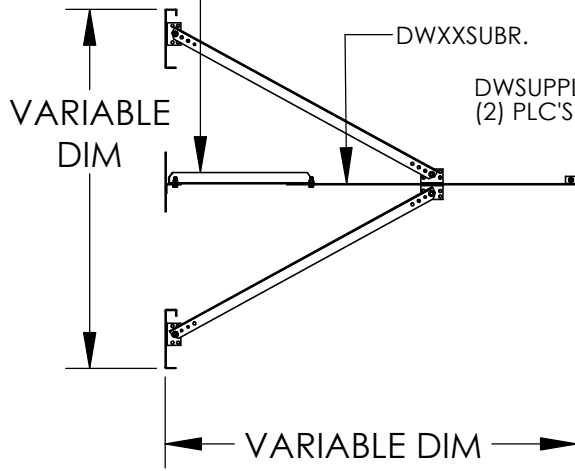
5/16 x 4"  
 Toggle Bolt  
 (12) PCS'S 30 & 36.



Uninsulated duct must be 18" from combustible surface.



DWSUBRD (2) PLC'S - LESS THAN 18" CLEARANCE - 30 & 36.  
 DWSUBRI (2) PLC'S - 18" CLEARANCE - 30 & 36.



DWSUPPLATE  
 (2) PLC'S 30 & 36.

DWSUBRA  
 (10) PLC'S 30 & 36.

5/16 x 4" Long  
 Toggle Bolts Are  
 Used To Secure  
 Support To Open  
 Walls, Hardware  
 Provided.

